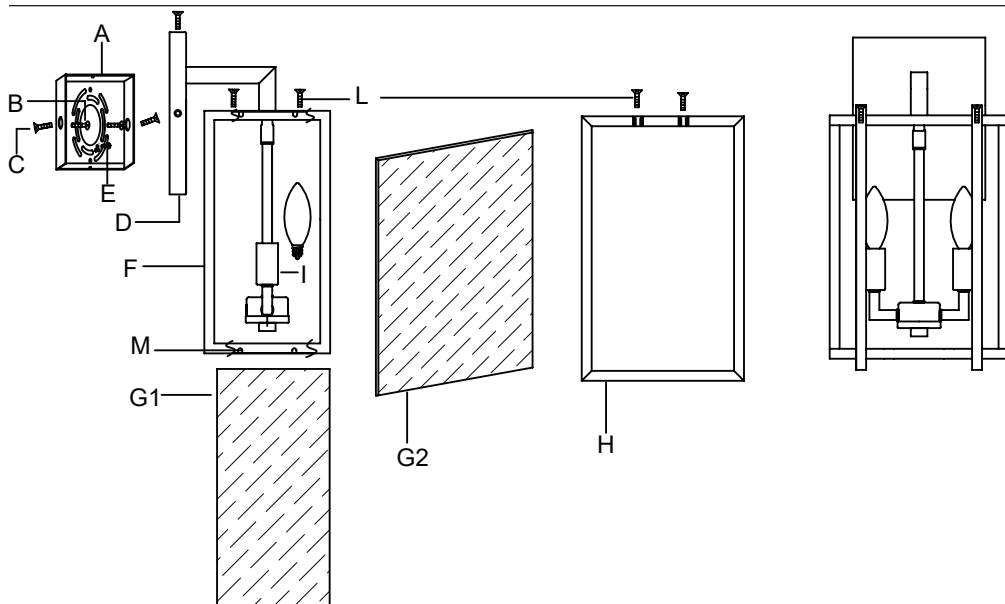


# Assembly Instructions: 6071-OWM

## IMPORTANT:

- ALL INSTALLATION WORK SHOULD BE DONE BY ACCREDITED PROFESSIONAL.
- SHUT OFF POWER SUPPLY AT FUSE OR CIRCUIT BREAKER!
- USE ONLY THE SPECIFIED BULBS. DO NOT EXCEED THE MAXIMUM WATTAGE!

For Customer Service, please contact the place of purchase.



How to Identify the Fixture's Wires		
Hot	Neutral	Ground
Smooth	Ribbed	Bare Metal, Green, or Green Inner Thread
Black	White	
Black Inner Thread	White Inner Thread	

House Wires

Hot

Neutral

Ground

Fixture Wires

Hot

Neutral

Ground

## PREPARING FOR INSTALLATION

Remove all of the contents from the carton. See the important notes above. Remove the old fixture from the wall, including the old mounting bracket.

1. Mounting strap (A) contains several pairs of threaded holes and two sets of mounting screws (B & C). Find the pair of holes that matches the spacing of the holes on the junction box and the fixture's backplate. Place mounting strap (A) up to your junction box. Place backplate (D) over the mounting strap, lining up the holes found on the side of the mounting strap (A) with the holes on the side of the backplate (D). Check that your holes are level and parallel to the ground, this will ensure you are hanging the fixture straight.
2. Secure mounting strap (A) to the wall's junction box using mounting screws (B) and a screwdriver. Tighten the screws securely.
3. Pull the house wires through the center of mounting strap (A).

## CONNECTING THE WIRES

4. Attach the fixture's wires to the house wires pulled earlier from the junction box. Connect Hot to Hot (black wire, transparent wire with black inner thread, or smooth wire), Neutral to Neutral (white wire, transparent wire with white inner thread, or the ribbed wire), and Ground to Ground (green wire, transparent wire with green inner thread, or the copper wire). Twist the ends of each wire pair together. Secure each connection with a wire connector (usually orange). Make sure all twists are in the same direction. If there is no house ground wire coming from the junction box, please locate ground screw (E) on the mounting strap (A) and wrap the fixture's ground wire around ground screw (E). Use a screwdriver to tighten the top of ground screw (E) onto the wires and into the mounting bracket/mounting bracket. Tuck the wires into the junction box.

## FINISHING THE INSTALLATION

5. Place the fixture's backplate (D) over the mounting strap (A). Holes on the side of the backplate (A) and holes found on the side of the mounting strap (A) should match. Thread screws (C) through the holes in backplate (D) and into the holes in mounting strap (A). Secure screws until the backplate of the fixture is snug against the wall.
6. Slide glass panels (G1 & G2) into the fixture frame (F) through the bottom of the fixture. Lean glass panels (G2) against the back and front of the fixture, and glass panels (G1) against the sides of the fixture within the fixture frame (F). Secure glass panels (G1 & G2) to the fixture frame (F) by bending small metal tabs (M), located at the top and bottom of the frame, against the glass to fix it in place. The metal tabs (M) can be pressed against the glass panels using a flathead screwdriver to secure in place.
7. Align and place accent frames (H) over the fixture frame (F). Secure accent frames (H) to the fixture frame (F) using screws (L).

Install light bulbs (not included) into socket (J) in accordance with the fixture's specifications. Do not exceed the maximum recommended wattage.

Your installation is now complete. Turn on the power and test the fixture.

## CLEANING TIPS

Treat the fixture gently! Regular cleaning will reduce the need for deep cleaning. For regular cleaning, turn off the light and wipe down the fixture with a clean lint-free cotton or microfiber cloth. Never spray cleaner directly onto the fixture.